



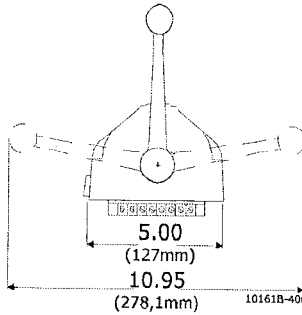
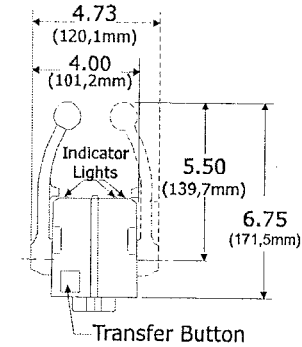
400 & MC2000 Series Control Head Variations, Dimensions, and Installation

Mathers Controls, Inc.
675 Pease Road
Burlington WA 98233-3103
U.S.A.
Tel: 360-757-6265
Fax: 360-757-2500
e-mail: mathers@matherscontrols.com

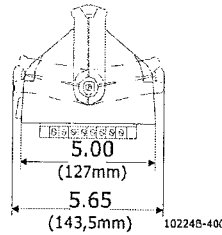
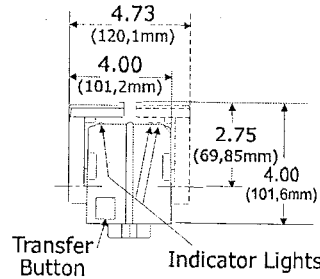
MMC-280
Rev.D 12-98

450 - 460 Series

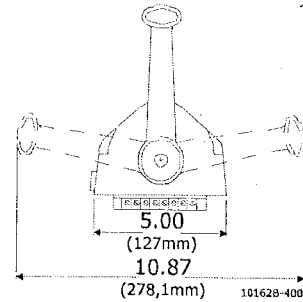
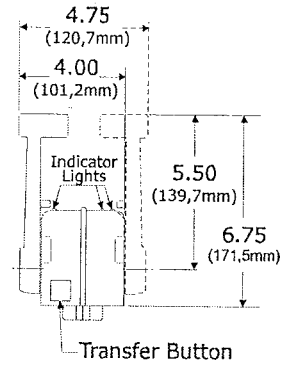
Chrome Lever with Knob



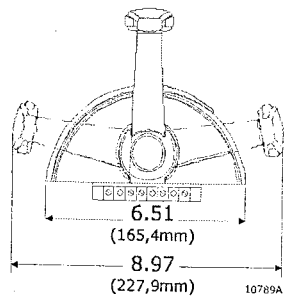
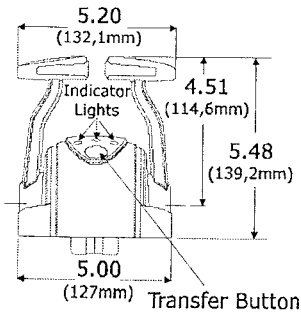
Low Profile Lever



Standard 'T' Handle

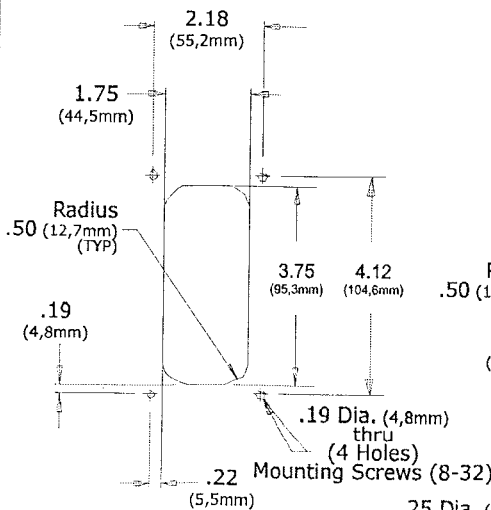


MC2000 Series



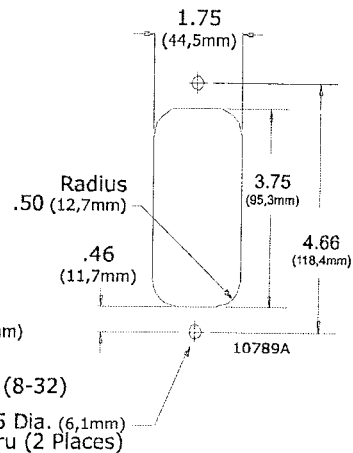
TEMPLATES

450 - 460 Series

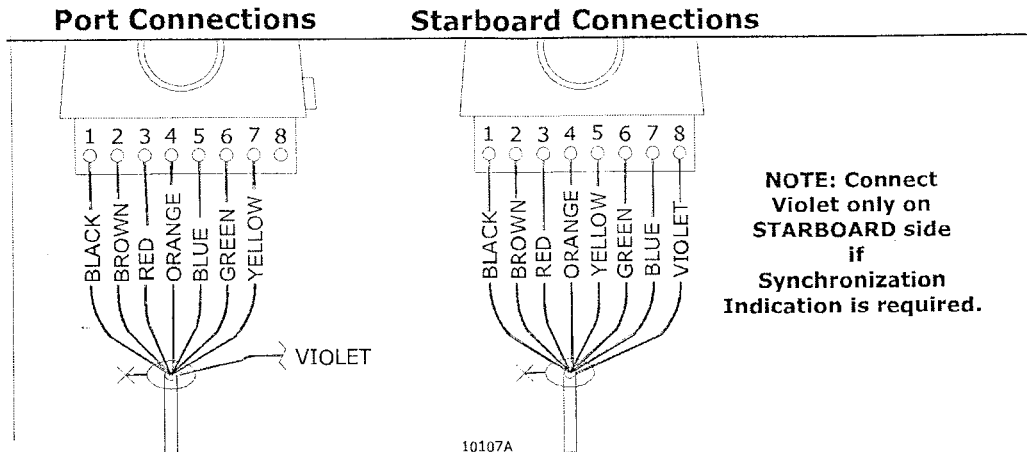


10161B, 10224B,
and 10162B

MC2000 Series



450 - 460 Series and MC2000 Series



Standard Cable Connections

At the Control Head, strip back the PVC cover on the shielded cable approximately 2" (50mm).

Strip and cut off the shielding and drain wire flush with the end of the PVC cover (the drain wire at the Control Head is not connected to ground).

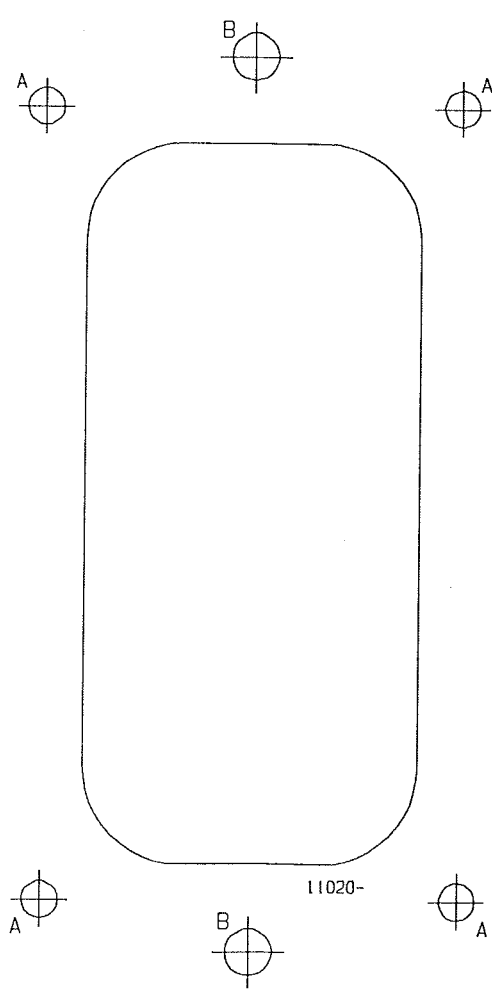
Strip 3/8" (9,5mm) insulation off each wire.

Twist the individual strands of the wires to minimize fraying.

Crimp a locking fork terminal (included with each Control Head) to each of the conductors.

Make connections to the Control Head as shown above.

Hand Held Control is a Station option. Contact your Mathers Dealer for further information on Hand Held requirements and options.



"A" HOLES 450 - 460 SERIES: \varnothing .19

"B" HOLES MC2000 SERIES: \varnothing .25



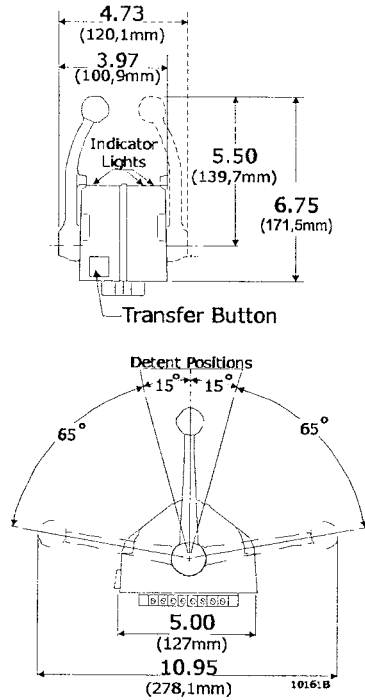
400 & MC2000 Series Control Head Variations Dimensions And Installation

Mathers Controls, Inc.
675 Pease Road
Burlington WA 98233-3103
U.S.A.
Tel: 360-757-6265
Fax: 360-757-2500
e-mail: mathers@matherscontrols.com

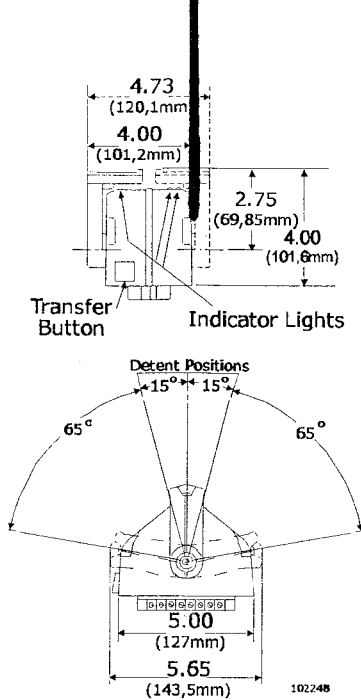
MMC-280
Rev.D 12-98

450 - 460 Series

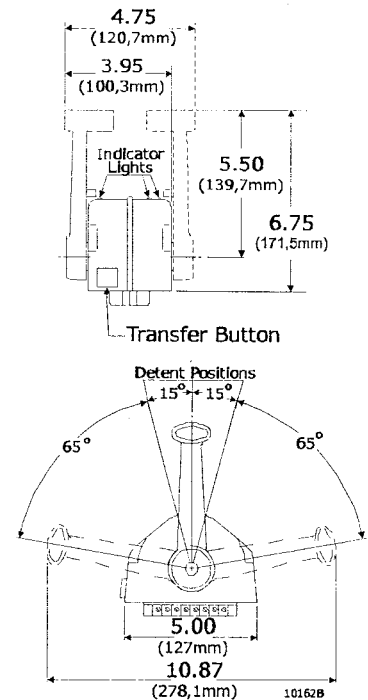
Chrome Lever with Knob



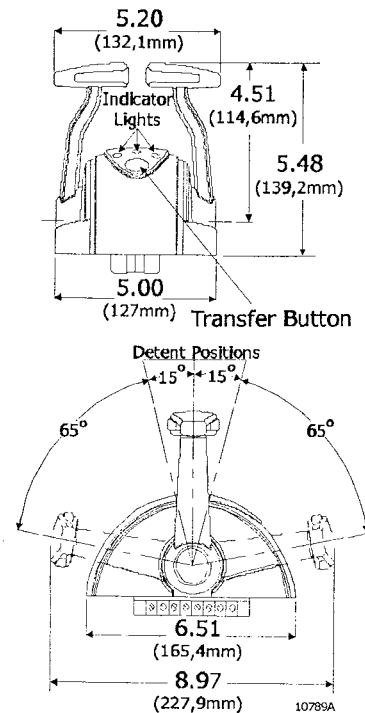
Low Profile Lever



Standard 'T' Handle

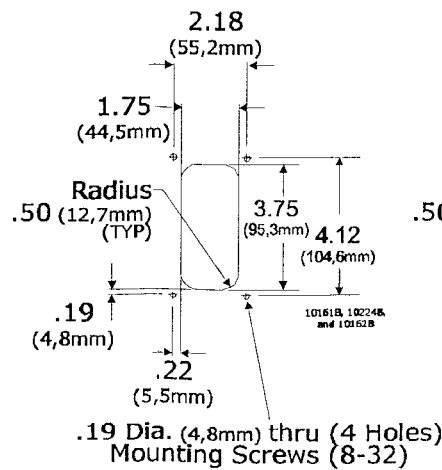


MC2000 Series

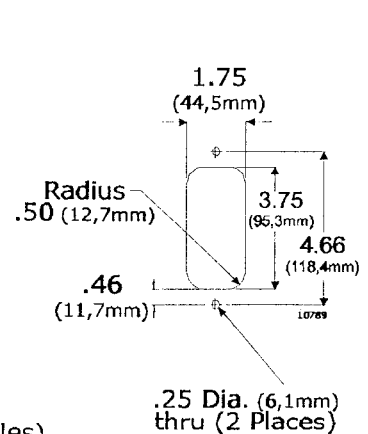


TEMPLATES

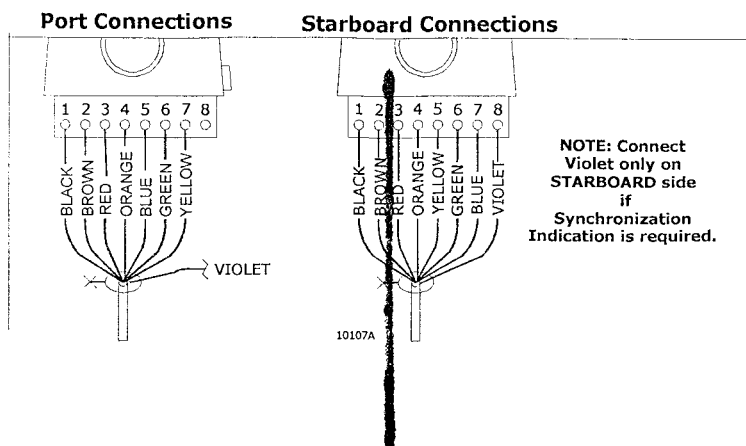
450 - 460 Series



MC2000 Series



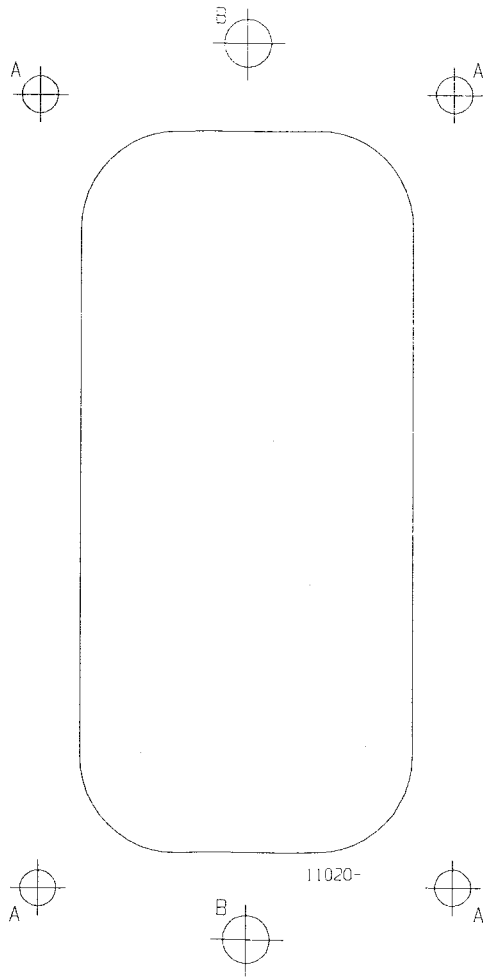
450 - 460 Series and MC200



Standard Cable Connections

At the Control Head, strip back the PVC cover on the shielded cable approximately 2" (50mm). Strip and cut off the shielding and drain wire flush with the end of the PVC cover (the drain wire at the Control Head is not connected to ground). Strip 3/8" (9,5mm) insulation off each wire. Twist the individual strands of the wires to minimize fraying. Crimp a locking fork terminal (included with each Control Head) to each of the conductors. Make connections to the Control Head as shown above.

Hand Held Control is a Remote Station option. Contact your Mathers Dealer for further information on Hand Held requirements and options.



"A" HOLES 450 - 460 SERIES: \varnothing .19

"B" HOLES MC2000 SERIES: \varnothing .25