



XL-4708

8-POINT MULTIPLEX MODULE

INSTALLATION INSTRUCTIONS

GENERAL

The XL-4708 Eight-Point Multiplex module is an accessory device used exclusively with Fire Burglary Instrument multiplex-capable control panels. Each XL-4708 interfaces and uniquely identifies up to eight protection loops to the control panel. The XL-4708 connects to the control panel via the two-wire multiplex bus.

All eight of the sensor loops are end-of-line resistor supervised, permitting the use of N.O. or N.C. sensors on each loop. All eight loops have normal (400 msec) response to sensor faults. However, two can be selected (as a group) to have fast (10 msec) response. Six of the loops can be used with either mechanical or reed contacts and the remaining two can be used just with reed contacts.

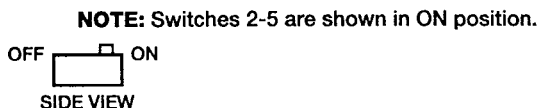
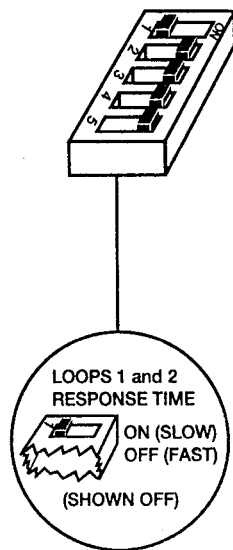
INSTALLATION

The XL-4708 installation procedures include programming, mounting and wiring.

PROGRAMMING

Programming the XL-4708 involves assigning a starting sensor address by setting four positions of a five-position DIP switch. Each setting presets a series of eight sensor loop control addresses (1-8, 9-16, 17-24, etc.). Use only switch positions 2, 3, 4, 5 to assign these numbers. DIP switch position 1 selects fast (OFF) or slow (ON) response for sensor loops 1 and 2.

Important: Each XL-4708 used utilizes eight sequential sensor ID numbers, whether or not all eight are used. Do not assign unused ID numbers to other modules. Refer to the control panel Installation Instructions for the programming information for each point, and to determine the valid range of points for the system.



THIS SWITCH SETTING					PRESETS THE LOOPS TO THESE SENSOR ADDRESSES								
DIP Switch Position					Loop Number								
1	2	3	4	5	1	2	3	4	5	6	7	8	*
OFF	OFF	OFF	OFF	OFF	1	2	3	4	5	6	7	8	←*
OFF	OFF	OFF	OFF	on	9	10	11	12	13	14	15	16	
OFF	OFF	on	OFF	OFF	17	18	19	20	21	22	23	24	
OFF	OFF	on	on	OFF	25	26	27	28	29	30	31	32	
OFF	on	OFF	OFF	OFF	33	34	35	36	37	38	39	40	
OFF	on	OFF	on	OFF	41	42	43	44	45	46	47	48	
OFF	on	on	OFF	OFF	49	50	51	52	53	54	55	56	
OFF	on	on	on	OFF	57	58	59	60	61	62	63	64	
on	OFF	OFF	OFF	OFF	65	66	67	68	69	70	71	72	
on	OFF	OFF	on	OFF	73	74	75	76	77	78	79	80	*
on	OFF	on	OFF	OFF	81	82	83	84	85	86	87	88	*
on	OFF	on	on	OFF	89	90	91	92	93	94	95	96	*
on	on	OFF	OFF	OFF	97	98	99	100	101	102	103	104	*
on	on	OFF	on	OFF	105	106	107	108	109	110	111	112	*
on	on	on	OFF	OFF	113	114	115	116	117	118	119	120	*
on	on	on	on	on	121	122	123	124	125	126	127	N/A	*

Sensor Number

*Not available on XL-4 Series

NOTE: Consult the Control Panel Instructions to determine the valid zone numbers for that control panel.

Diagram 1. DIP Switch Settings

MOUNTING AND WIRING

WARNING: All power should be disconnected before proceeding.

1. **MOUNT** the XL-4708 in a climate controlled location.
 - a) Remove the front cover.
 - b) Draw the mounting holes, using the back cover as a template. Drill the screw holes and install the included mounting screws.

For UL Listed Commercial Burglary Usage:
The XL-4708 must be mounted in a tamper protected enclosure such as the control panel cabinet.

2. **WIRE** the XL-4708 by connecting the polling loop and the protection loops (see Diagram 2.) Maximum length of protection loop is 1200 feet using 22 gauge twisted pair wire. See the instructions which accompany the control concerning polling loop restrictions.
3. **ATTACH** the wired XL-4708 to its mounting location and tighten the mounting screws.
4. **RECORD** all system information on the cover's label.
5. **REPLACE** the cover.

	TERMINALS	EOL RESISTOR	CURRENT DRAW	LOOP RESPONSE	TYPE OF CONTACTS
LOOP 1	1(+) 2(-)	4,700 ohms 1/4W	1 Milliamp	Fast or Slow*	Reed or Mechanical
LOOP 2	3(+) 4(-)	4,700 ohms 1/4W	1 Milliamp	Fast or Slow*	Reed or Mechanical
LOOP 3	5(+) 6(-)	4,700 ohms 1/4W	1 Milliamp	Slow only	Reed or Mechanical
LOOP 4	7(+) 8(-)	4,700 ohms 1/4W	1 Milliamp	Slow only	Reed or Mechanical
LOOP 5	9(+) 10 (-)	4,700 ohms 1/4W	1 Milliamp	Slow only	Reed or Mechanical
LOOP 6	13(+) 14(-)	4,700 ohms 1/4W	1 Milliamp	Slow only	Reed or Mechanical
LOOP 7	15(+) 16(-)	30,000 ohms 1/2W	100 Microamps	Slow only	Reed only
LOOP 8	17(+) 18(-)	30,000 ohms 1/2W	100 Microamps	Slow only	Reed only

*When Fast/Slow response is selected, the selection affects both Loops 1 & 2 as a pair.

For UL Listed Commercial Fire Usage:

Loops 7 and 8 may not be used.
Use N.O. contacts on loops 1-6.
Style B supervise these loops using model #EOL47 Fire listed 4.7k EOLR (purchased separately packaged 16 per bag).

For UL Listed Commercial Burglary Usage:

Use N.O. or N.C. contacts on loops 1-8. Supervise using EOLR supplied.

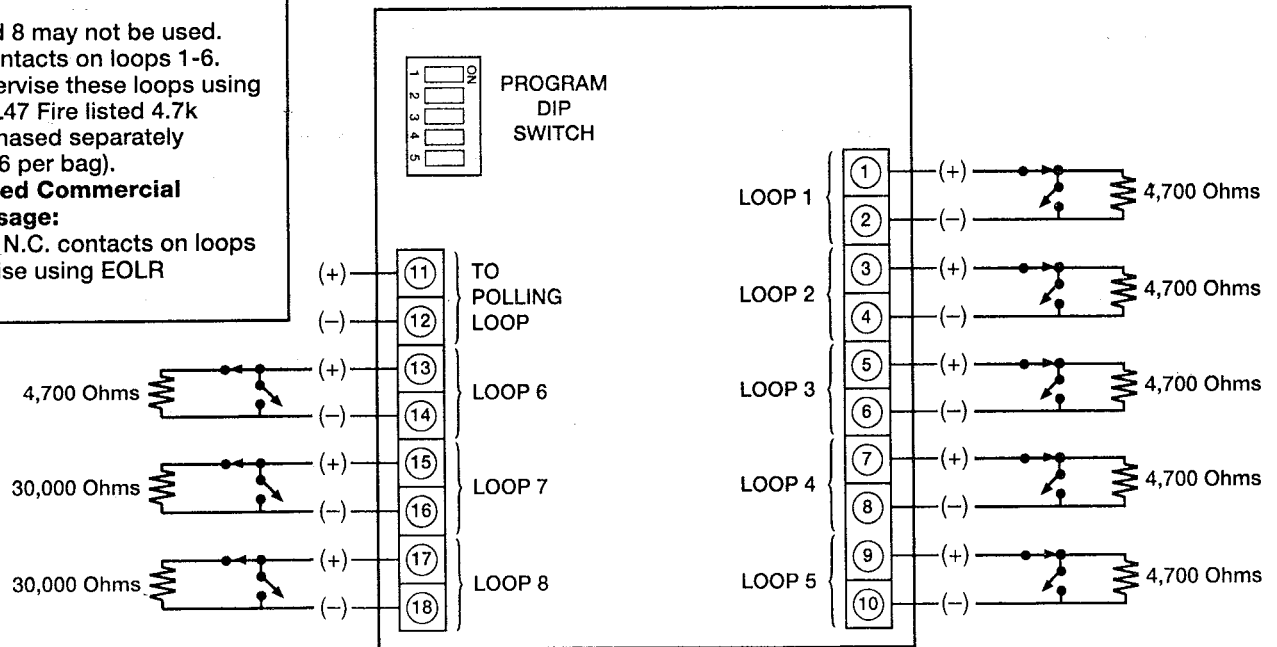


DIAGRAM 2. XL-4708 SUMMARY OF CONNECTIONS

SPECIFICATIONS:

ENVIRONMENTAL:

Temperature: -4° (-20°C) to +158°F (70°C)
Humidity: 90% RH (non-condensing)

POWER CONSUMED:

Voltage Input: 8-11V
Current Drain: 16 mA

DIMENSIONAL:

Width: 3-7/8" (98mm)
Height: 7" (178mm)
Depth: 1-3/8" (35mm)

Sensor Loop Response:

Slow - 400 msec (all loops)
Fast - 10 msec
(option for Loops 1 and 2)

Sensor Loop Current Provided:

Loops 1-6: 1 milliamp
Loops 7, 8: 100 microamps
(sealed reed sensors only)

Sensor Loop Wiring:

Maximum of 1200 feet (365m.) of No. 22 AWG (0.65 mm O.D.) wire

"FEDERAL COMMUNICATIONS COMMISSION (FCC) STATEMENT"

This equipment has been tested to FCC requirements and has been found acceptable for use. The FCC requires the following statement for your information.

This equipment generates and uses radio frequency energy and if not installed and used properly, that is, in strict accordance with the manufacturer's instructions may cause interference to radio and television reception. It has been type tested and found to comply with the limits for a Class B computing device in accordance with the specifications in Part 15 of FCC Rules which are designed to provide reasonable protection against such interference in a residential installation. However, there is no guarantee that interference will not occur in a particular installation. If this equipment does cause interference to radio or television reception, which can be determined by turning the equipment off and on, the user is encouraged to try to correct the interference by one or more of the following measures:

- Reorient the receiving antenna.
- Move the device away from the receiver.
- Plug the power source for the device into a different outlet so that the device and the receiver are on different branch circuits.
- If necessary, the user should consult the dealer or an experienced radio/television technician for additional suggestions. The user or installer may find the following booklet prepared by the Federal Communications Commission helpful:

"Interference Handbook"

This booklet is available from the U.S. Government Printing Office, Washington, DC 20402. Stock No. 004-000-00450-7.

The user shall not make any changes or modifications to the equipment unless authorized by the Installation Instructions or User's Manual. Unauthorized changes or modifications could void the user's authority to operate the equipment.

FBI LIMITED WARRANTY

Fire Burglary Instruments Inc., a Subsidiary of Pittway Corporation, and Pittway Corporation its divisions, subsidiaries, and affiliates ("Seller"), 149 Eileen Way, Syosset, New York 11791, warrants its products to be in conformance with its own plans and specifications and to be free from defects in materials and workmanship under normal use and service for five years from the date stamp control on the product, or for products not having a date stamp, for twelve months from the date of original purchase unless the installation instructions or catalog sets forth a shorter period, in which case the shorter period shall apply. Seller's obligation shall be limited to repairing or replacing at its option, free of charge for materials or labor, any part which is proved not in compliance with Seller's specifications or proves defective in materials or workmanship under normal use and service. Seller shall have no obligation under this Limited Warranty or otherwise if the product is altered or improperly repaired or serviced by anyone other than Seller. For warranty service, return transportation prepaid, to Factory Service, 149 Eileen Way, Syosset, New York 11791.

THERE ARE NO WARRANTIES, EXPRESSED OR IMPLIED, OF MERCHANTABILITY, OR FITNESS FOR A PARTICULAR PURPOSE OR OTHERWISE, WHICH EXTEND BEYOND THE DESCRIPTION ON THE FACE HEREOF. IN NO CASE SHALL SELLER BE LIABLE TO ANYONE FOR ANY CONSEQUENTIAL OR INCIDENTAL DAMAGES FOR BREACH OF THIS OR ANY OTHER WARRANTY, EXPRESS OR IMPLIED, OR UPON ANY OTHER BASIS OF LIABILITY WHATSOEVER, EVEN THE LOSS OR DAMAGE IS CAUSED BY ITS OWN NEGLIGENCE OR FAULT.

Seller does not represent that the products it sells may not be compromised or circumvented; that the products will prevent any personal injury or property loss by burglary, robbery, fire or otherwise; or that the products will in all cases provide adequate warning or protection. Customer understands that a properly installed and maintained alarm system may only reduce the risk of a burglary, robbery, or fire without warning, but it is not insurance or a guarantee that such will not occur or that there will be no personal injury or property loss as a result. CONSEQUENTLY, SELLER SHALL HAVE NO LIABILITY FOR ANY PERSONAL INJURY, PROPERTY DAMAGE OR OTHER LOSS. BASED ON A CLAIM THE PRODUCT FAILED TO GIVE ANY WARNING. HOWEVER, IF SELLER IS HELD LIABLE, WHETHER DIRECTLY OR INDIRECTLY, FOR ANY LOSS OR DAMAGE ARISING UNDER THIS LIMITED WARRANTY OR OTHERWISE, REGARDLESS OF CAUSE OR ORIGIN, SELLER'S MAXIMUM LIABILITY SHALL NOT IN ANY CASE EXCEED THE PURCHASE PRICE OF THE PRODUCT, WHICH SHALL BE THE COMPLETE AND EXCLUSIVE REMEDY AGAINST SELLER.

This warranty replaces any previous warranties and is the only warranty made by Seller on this product. No increase or alteration written or verbal, of the obligations of this Limited Warranty is authorized.



FIRE BURGLARY INSTRUMENTS, INC.
A Subsidiary of Pittway Corp.

149 Eileen Way • Syosset, NY 11791